

# Banshee IS28 MK6 Intrinsically Safe Sounder

With 32 high and low frequency tones to suit a wide range of applications.

ATEX and IECEx approved for use in Zones 0 and 20 (Gas and Dust) and is suitable for use in zones 1, 2, 21 and 22.

The product should only be connected to the monitored driving circuit via an certified galvanic isolator or zener barrier. These devices are available from VimpeX along with a suitable enclosure. Suitable for all non-mining applications.

## Features

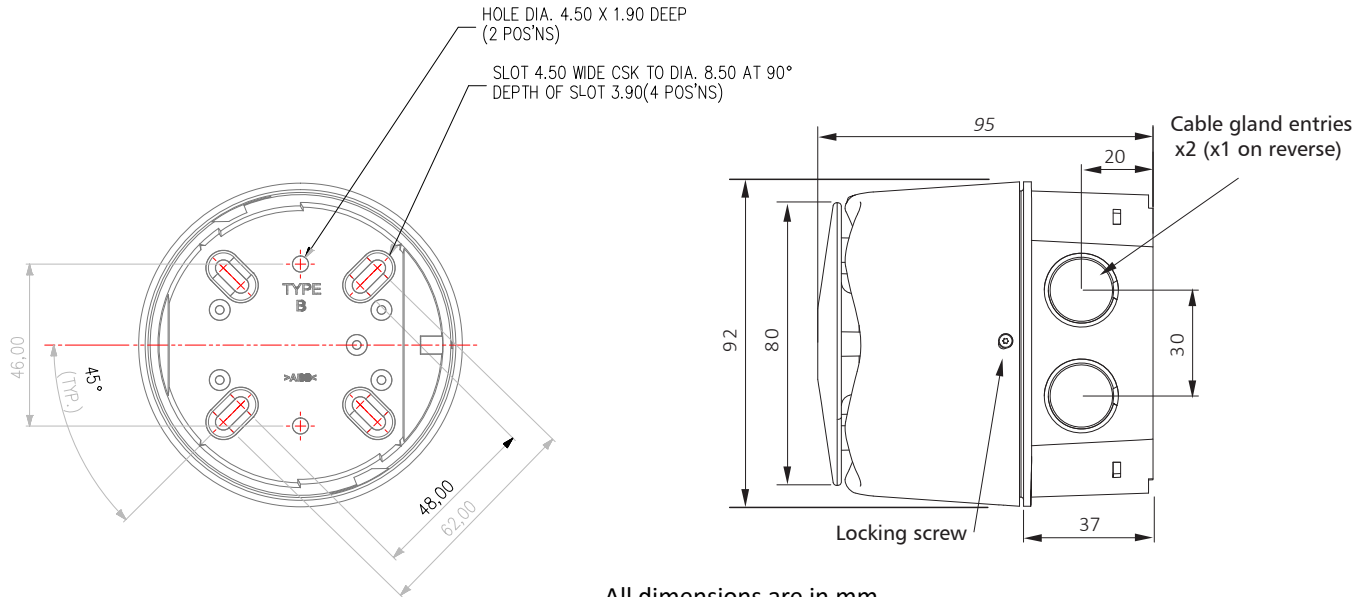
- Based on the world class Hosiden Besson Banshee Sounder
- Gas and Dust Approvals
- 32 Tones
- Volume control via DIP Switch
- High output
- Low current consumption
- IP66 rated

## Specification

Ordering Code:	8656000
Power Supply:	24 Vdc
Typical Current:	15 mA (high frequency tones), 11 mA (low frequency tones) @24 Vdc via a 28 V 300 Ω barrier)
Output @ 1 m:	98 dBA (high frequency) 90 dBA (low frequency)
Intrinsic Safety Approval:	EN 60079-0:2012 + A11:2013, General Requirements EN 60079-11:2011, Intrinsic Safety 'i' Group II, Category I, Explosive Atmosphere G (Gas) and D (Dust) IECEx ITS17.0011X ATEX ITS 17ATEX201739X Ex ia IIC T5 Ga Ex ia IIIC T100degC Da IP66 ATEX - II IGD Ex ia T5 Ga
Installation:	Connection must be made via a certified galvanic isolator or zener barrier with output parameters not exceeding $U = 28\text{ V}$ , $I_i = 93\text{ mA}$ , $P_i = 0.65\text{ W}$ , $L_i = 0$ , $C_i = 0$ . The output current of the barrier must be limited by resistor 'R' such that $I_i = U_i/R$ .
Suitable for Zones:	0, 1, 2, 20, 21 and 22
Operating Temperature:	-40 to +70°C
IP Rating / Material:	IP66 / ABS (When installed with Fixing Clip)
Weight:	262 g

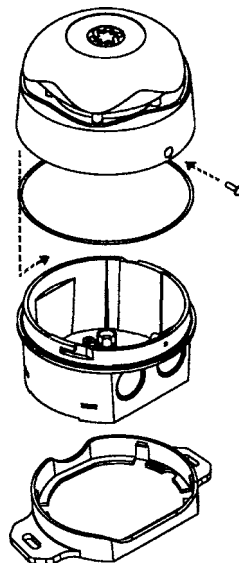
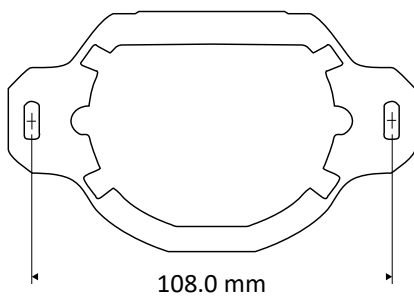


# Technical Drawings



## Fixing Clip

The clip mounting bracket must only to be used for mounting the sounder to ensure IP66 protection (the base must not be drilled), the 'O' ring must be fitted between the base and the head, the head retaining screw fitted to stop the head being removed especially in exposed locations.



## Also Available At VimpeX...

Suitable barriers and isolators are available from VimpeX such as the DIN rail mounted galvanic isolators and zener barriers for use with the IS28 sounder.

